

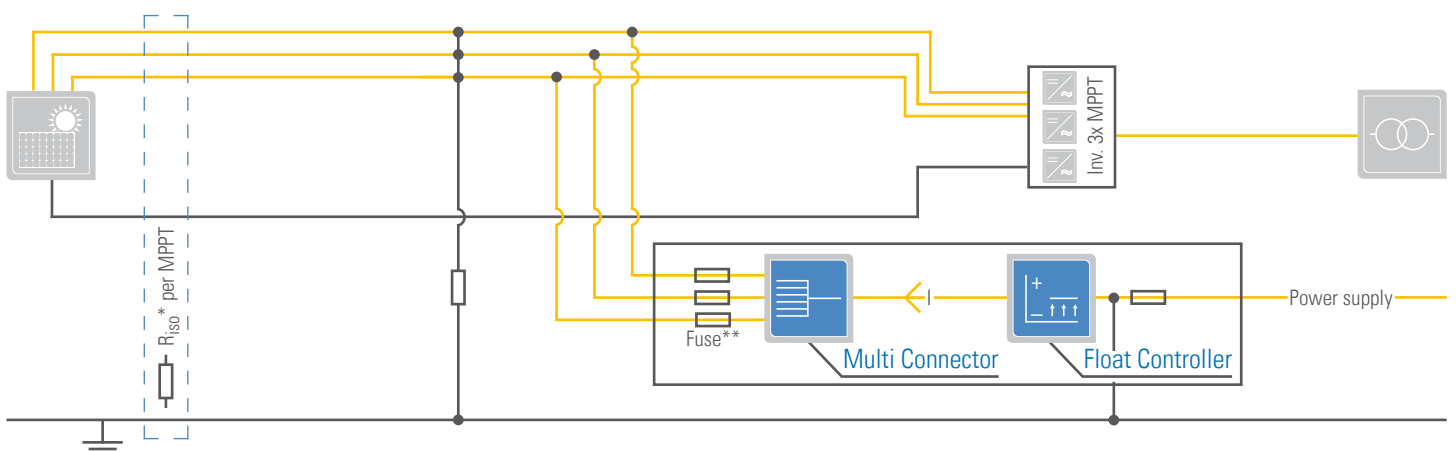


FC Compact Station

Preconfigured and pre wired all-in-one-solution

for installation of 1x Float Controller CI
 and 1x Multi Connector*

- Fuses included
- Pre wired
- Easy installation



Housing	
Application	Outdoor / indoor
Material	PC/PBT mix
Colour scheme	RAL 7035
Mounting	Wall mounted
UV resistance	Yes
Drainage element	Yes
Pressure compensation element	Yes
Door	Transparent
Dimensions & Weight	
Housing (width/height/depth)	700x460x260 mm
Weight	Approx. 15 kg
Input parameters	
Supply voltage	230 V _{AC}
Protection	6 A
Main connection	Cable gland M20 with spring clamp terminal / max. wire size: 2,5 mm ²
Measurement PV-	MC4 plug / each output fused / wire size: 6 mm ²
Measurement PV+	MC4 socket / each output fused / wire size: 6 mm ²
Output parameters	
PV+ pull up MPPT1-8	8x MC4 socket/ each output fused / wire size: 6 mm ²
Signal cabling	Cable gland M20 with spring clamp terminal / fused 6 A / max. wire size: 2,5 mm ²
Safety class & Environmental conditions	
Safety class according to EN 60529	IP 54 (Install in shaded area, avoid direct sunlight)
Permissible ambient temperatures	-15 °C to +50 °C
Rel. ambient humidity, non-condensing	Up to 90 %
Altitude above sea level	Max. 2.000 m
Optional	
Safety class according to EN 60529	IP 65
Mounting	Pole mounting set



IP 54

Schutzklasse I